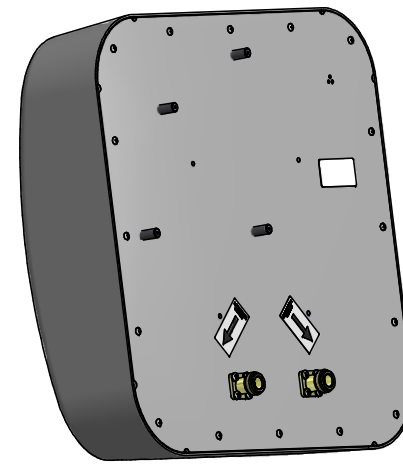
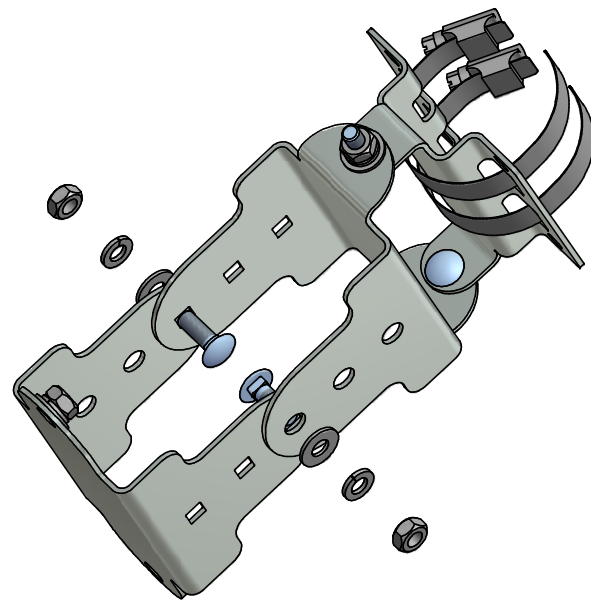
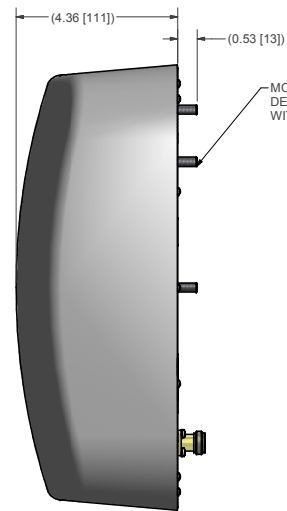


REVISION HISTORY			
REV	DESCRIPTION	DATE	APPROVED

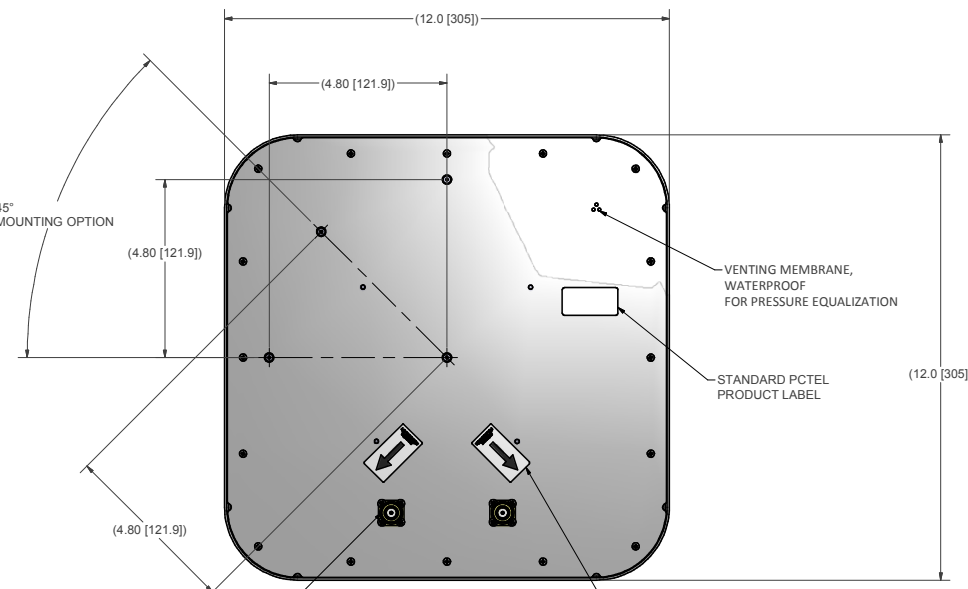


P02370, MOUNTING KIT



MOUNTING STUDS
DESIGNED TO WORK
WITH PCTEL P02370 MOUNTING KIT

45°
MOUNTING OPTION



ANTENNA VSWR Specification:
 < 2.0:1 for 698 MHZ - 960 MHZ
 < 2.0:1 for 1710 MHZ - 2700 MHZ

SUPPLIER PRINT ACCEPTANCE: <input type="checkbox"/> Accept drawing/specification. No changes needed. <input type="checkbox"/> This part is RoHS compliant. <input type="checkbox"/> This part is REACH compliant. <input type="checkbox"/> Accept drawing/specification. Notes/Mark-ups added. <input type="checkbox"/> Cannot accept drawing/spec. Notes/Mark-ups added. Supplier Projected Outgoing Quality: SIGMA LEVEL: _____ or PPM: _____ Signature: _____ Date: _____	UNLESS OTHERWISE SPECIFIED DIMENSIONS ARE IN MM. FOR TOLERANCES NOT SPECIFIED USE: X.XX ± 0.10, X.XXX ± 0.05, X.XXXX ± 0.025, X.XXXXX ± 0.015, X.XXXXX ± 0.010 THIRD ANGLE PROJECTION	DRAWN: MP DATE: 7/1/2015	PCTEL, INC. BROADBAND TECHNOLOGY GROUP ANTENNA PRODUCTS 471 BRINGTON DRIVE BLOOMINGDALE, IL 60108 PH: 630-372-6800 FAX: 630-372-8077
		CHECKED: _____ DATE: _____ APPROVED: _____ DATE: _____	